

**Differential Pressure Sensor (Air)**

Differential pressure transmitter with 8 selectable ranges and Modbus functionality. NEMA 4X / IP65 rated enclosure. For monitoring the differential pressure of air and other non-flammable and non-aggressive gases. Monitoring air filters, fans, industrial cooling air cycles, control of air and fire dampers. Options available with LCD display and Auto-Zero function.


**Type Overview**

Type	Measuring Range Pressure	Output Signal	Output Signal Active Pressure	Output signal active volumetric flow	Display Type	Additional Features
22ADP-55Q	0 to 250 Pa	Modbus	DC 0...5 V, DC 0...10 V	DC 0...5 V, DC 0...10 V	-	-
22ADP-55QA	0 to 250 Pa	Modbus	DC 0...5 V, DC 0...10 V	DC 0...5 V, DC 0...10 V	-	auto zero
22ADP-55QB	0 to 250 Pa	Modbus	DC 0...5 V, DC 0...10 V	DC 0...5 V, DC 0...10 V	LCD	auto zero
22ADP-55QL	0 to 250 Pa	Modbus	DC 0...5 V, DC 0...10 V	DC 0...5 V, DC 0...10 V	LCD	-

**Technical Data**

<b>Electrical Data</b>	Power Supply DC	15...24 V, ±10%, 1.4 W			
	Power Supply AC	24 V, ±10%, 2 VA			
	Electrical Connection	removable spring loaded terminal block max. 11 GA [2.5 mm <sup>2</sup> ]			
	Cable Entry	cable gland M20 2 x Ø6 mm, with strain relief 2 x Ø6 mm, 1/2" conduit adapter included			
<b>Functional Data</b>	Sensor Technology	piezo measuring element			
	Communicative control	Modbus RTU (Details see separate document "Sensor Modbus Register")			
	Multirange	8 fields selectable			
	Output Signal Active Note	output DC 0 to 5/10 V selectable with switch voltage output: min. 10 kΩ load current outout: max. 500 Ω load			
<b>Display</b>	LCD, 1.14" x 1.38" [29 x 35 mm] with backlight measured values: Pa, inchWC (configurable) measured values volumetric flow: m <sup>3</sup> /h, cfm (configurable)				
<b>Measuring Data</b>	Media	air			
	Measured Values	differential pressure			
	Measuring Media	air and non-aggressive gases			
	Measuring Range Pressure	Setting	range [Pa]	range [inch WC]	Factory setting
		S0	0 to 250	0 to 1	✓
		S1	0 to 100	0 to 0.4	
		S2	0 to 50	0 to 0.2	
		S3	0 to 25	0 to 0.1	
S4		-25 to 25	-0.1 to 0.1		
S5		-50 to 50	-0.2 to 0.2		
S6		-100 to 100	-0.4 to 0.4		
S7	-150 to 150	-0.6 to 0.6			
Accuracy Pressure	±0.004 inch WC (±1 Pa) @ range <1 inch WC (250 Pa)				

<b>Materials</b>	Cable Gland	PA6, black
	Housing	cover: lexan, Belimo orange NCS S0580-Y6OR base: lexan, Belimo orange NCS S0580-Y6OR seal: 0467 NBR70, black
<b>Safety Data</b>	Ambient Humidity	max. 95% RH non-condensing
	Ambient Temperature	15°F to 120°F [-10°C to 50°C]
	Medium Temperature	15°F to 120°F [-10°C to 50°C]
	Protection Class IEC/EN	III safety extra-low voltage (selv)
	Protection Class UL	UL Class 2 Supply
	Certification IEC/EN	IEC/EN 60730-1 and IEC/EN 60730-2-6
	Certification UL	pending
	Degree of Protection IEC/EN	IP65
	Degree of Protection NEMA/ UL	NEMA 4X
	Quality Standard	ISO 9001
Weight	0.29 lbs	

**Safety Notes**


The installation and assembly of electrical equipment should only be performed by authorized personnel.

The product should only be used for the intended application. Unauthorized modifications are prohibited! The product must not be used in relation with any equipment that in case of a failure may threaten, directly or indirectly, human health or life or result in danger to human beings, animals or assets. Ensure all power is disconnected before installing. Do not connect to live/operating equipment.

Please comply with

- Local laws, health & safety regulations, technical standards and regulations
- Condition of the device at the time of installation, to ensure safe installation
- This data sheet and installation manual

**Remarks**
**Automated Zero-Point Calibration (Auto Zero)**

Transmitters equipped with the auto zero calibration are maintenance free.

The auto-zero calibration electronically adjusts the transmitter zero every 10 minutes. The function eliminates all output signal drift due to thermal, electronic or mechanical effects. The auto-zero adjustment takes approx. 4 seconds after which the device returns to its normal measuring mode. During the 4 second adjustment period, the output and display values will freeze to the latest measured value.

**Manual Zero-Point Calibration**

In normal operation zero-point calibration should be executed every 12 months.

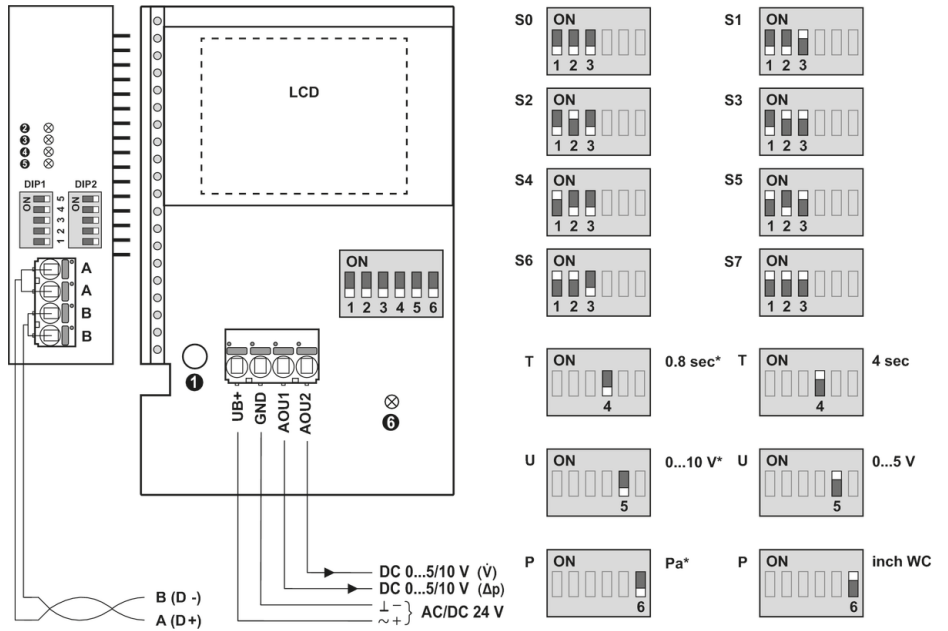
Attention! For executing zero point calibration the power supply must be connected one hour before.

- Release both connection tubes from the pressure terminals + and -
- Press the button S1 until the LED lights permanently
- Wait until the LED flashes again and reinstall the connection tubes to the pressure ports (note + and -)

**Accessories**

<b>Scope of Delivery</b>	mounting plate dowel screws strain relief Ø6 to 8 mm cable gland nut conduit 1/2" NPT, 2 x Ø6 mm cable gland nut PG11, Ø6 to 10 mm cable gland nut conduit 1/2" NPT	
	<b>Optional Accessories</b>	<b>Description</b>
	metal duct connectors 1.57" [40 mm]	A-22AP-A01
	metal duct connectors 4" [100 mm]	A-22AP-A03

Wiring Diagram



- ① Button
- ② red: Error
- ③ yellow: Tx
- ④ yellow: Rx
- ⑤ and ⑥ Status LED
- \* Factory setting
- P Pressure unit
- T Response time
- U Output signal

Setting	range [Pa]	range [inch WC]	Factory setting
S0	0 to 250	0 to 1	✓
S1	0 to 100	0 to 0.4	
S2	0 to 50	0 to 0.2	
S3	0 to 25	0 to 0.1	
S4	-25 to 25	-0.1 to 0.1	
S5	-50 to 50	-0.2 to 0.2	
S6	-100 to 100	-0.4 to 0.4	
S7	-150 to 150	-0.6 to 0.6	

Detailed documentation

The separate document Sensor Modbus-Register informs about Modbus register, addressing, parity and bus termination (DIP1: address, DIP2: baud rate, parity, bus termination)

In addition to the information on the bus, the following analog outputs are available:  
 AOU1: differential pressure  
 AOU2: volumetric flow

The volumetric flow is calculated from the differential pressure, the k-factor and the height  
 Factory setting for the k-factor is 1.00 and for the height 330 metres above sea level.  
 The values of the k-factor and the height can be changed via Modbus or BACnet.

Notes Wiring RS485



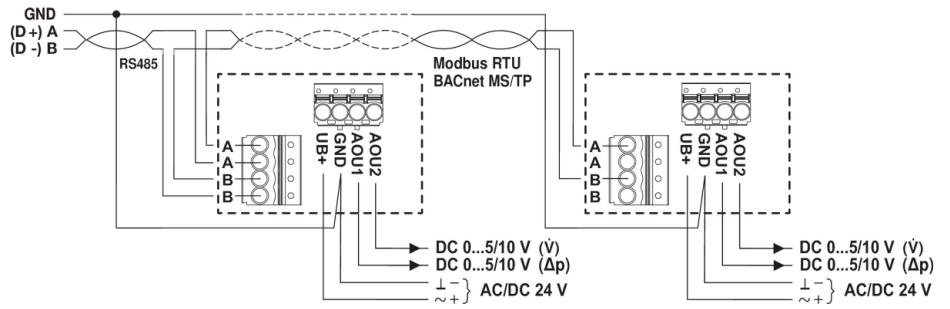
Connection via safety isolating transformer.

Parallel connection of other actuators possible. Observe the performance data.

The wiring of the line for Modbus (RTU) / BACnet (MS/TP) is to be carried out in accordance with applicable RS485 regulations.

Modbus / BACnet: Supply and communication are not galvanically isolated. Connect earth signal of the devices with one another.

Wiring RS485 (Modbus RTU & BACnet MS/TP)



Dimensions

